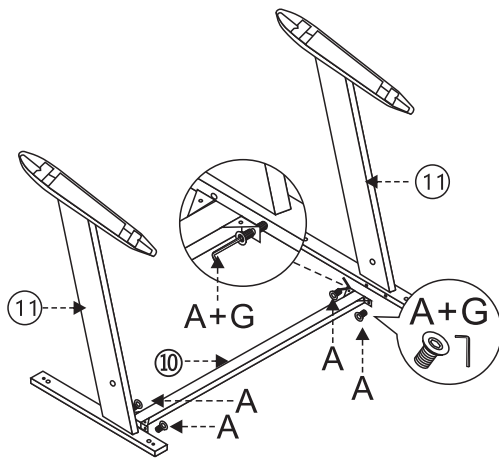
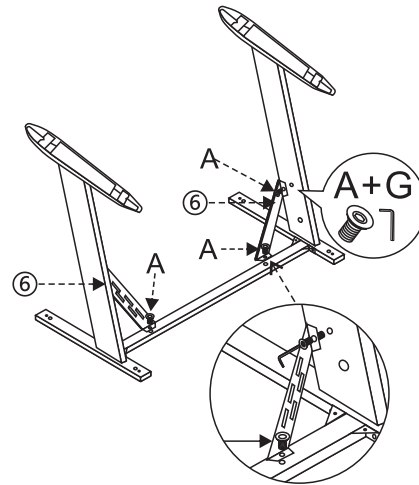


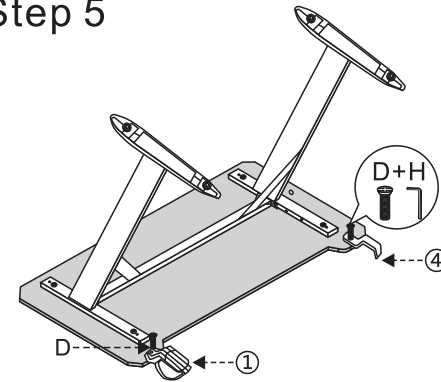
Step 1



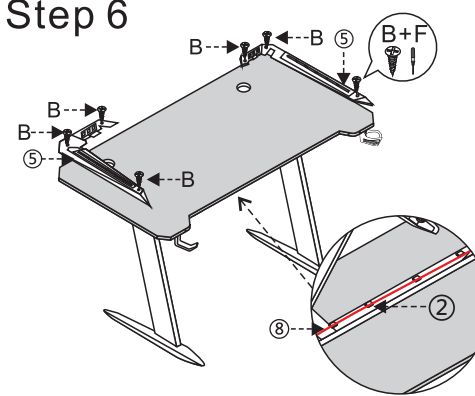
Step 2



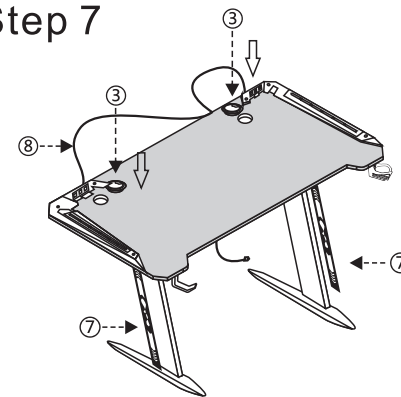
Step 5



Step 6

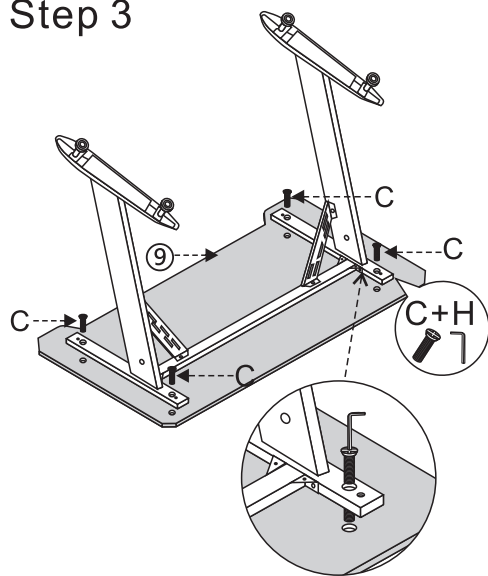


Step 7

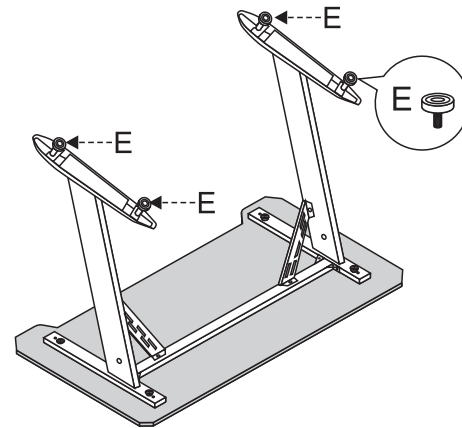


| Gaming table installation diagram | | |
|-----------------------------------|--|------|
| A | | M8x8 |
| B | | x6 |
| C | | M6x4 |
| D | | M6x2 |
| E | | M8x4 |
| F | | x1 |
| G | | M8x1 |
| H | | M6x1 |
| ① | | x1 |
| ② | | x4 |
| ③ | | x2 |
| ④ | | x1 |
| ⑤ | | x2 |
| ⑥ | | x2 |
| ⑦ | | x2 |
| ⑧ | | x1 |
| ⑨ | | X1 |
| ⑩ | | X1 |
| ⑪ | | X1 |
| ⑫ | | X1 |

Step 3



Step 4



Remarks: Please use the remote controller close to the receiver when change the color and modes.