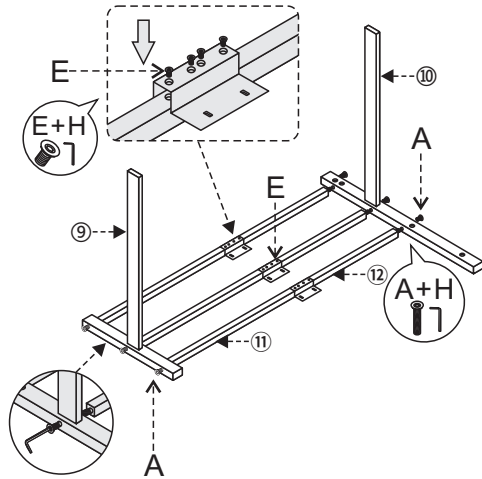
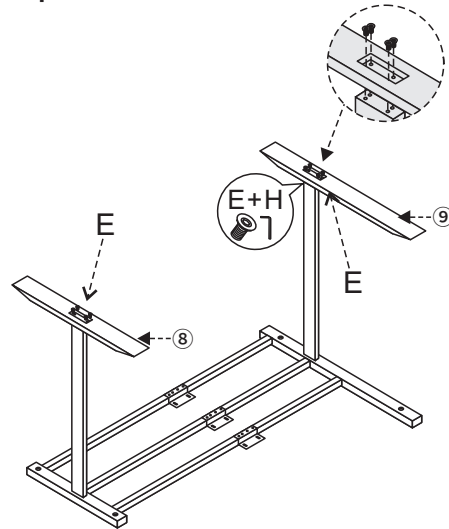


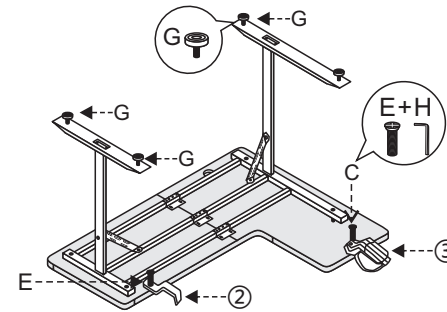
Step 1



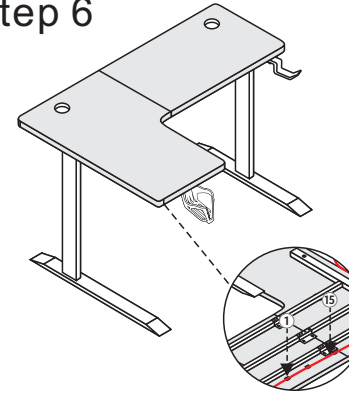
Step 2



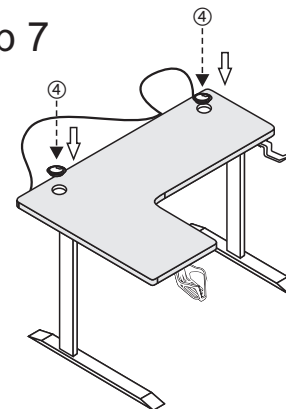
Step 5



Step 6



Step 7



Gaming table installation diagram

A		M6x50x6
B		M6x40x4
C		M6x30x2
D		M8x20x2
E		M6x15x24
F		M4x15x6
G		60x30x4
H		M6x2
I		x1
①		x4
②		x1
③		x1
④		x2
⑤		x3
⑥		x2
⑦		x1
⑧		x1
⑨		x1
⑩		x1
⑪		x3
⑫		x3
⑬		x1
⑭		x1
⑮		x1

Remarks: Please use the remote controller close to the receiver when change the color and modes.